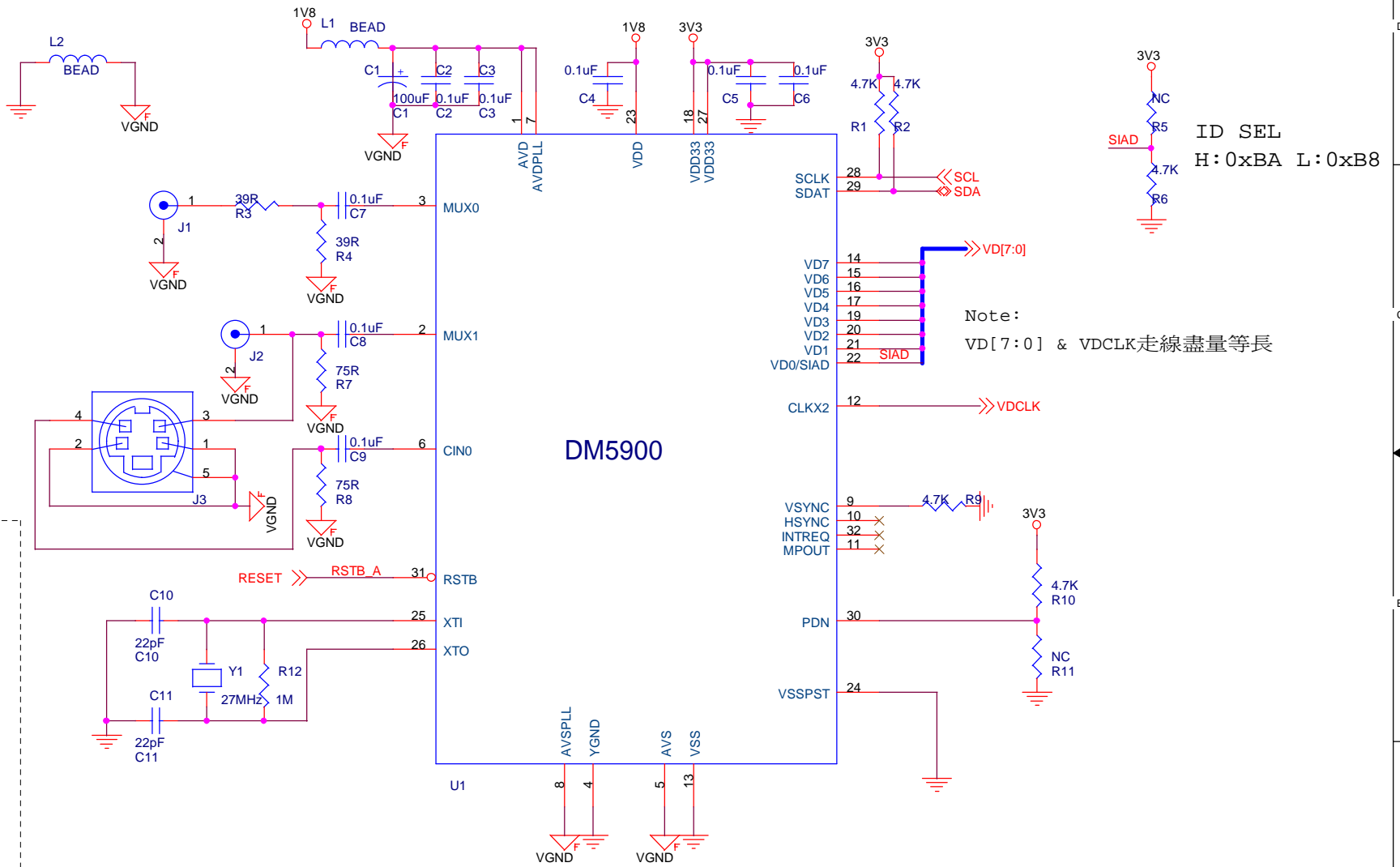


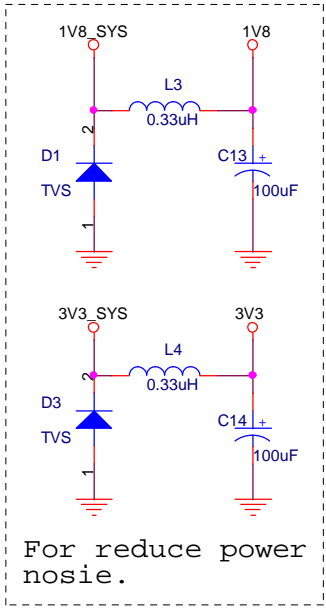
DM5900

- ~ 1 Channel 720H Video Decoder
- ~ Pin Compatible with TW9900

DAVICOM Semiconductor, Inc.		
Title		
DM5900_REF		
Size	Document Number	Rev
A4	DM5900	1.1
Date:	Wednesday, March 27, 2013	Sheet 1 of 3



Note:
VD[7:0] & VDCLK走線盡量等長



DAVICOM Semiconductor, Inc.		
Title DM5900_REF		
Size A4	Document Number DM5900	Rev 1.1
Date: Wednesday, March 27, 2013	Sheet 2	of 3

VER	DATE	ENGINEER	NOTE
1.0	03/22/2013	CONNOR HONG	NEW CIRCUIT DM5900
1.1	01/26/2016	CONNOR HONG	Add circuit for reduce power noise

DAVICOM Semiconductor, Inc.

Title		
DM5900_REF		
Size	Document Number	Rev
A4	HISTORY	1.0
Date:	Wednesday, March 27, 2013	Sheet 3 of 3