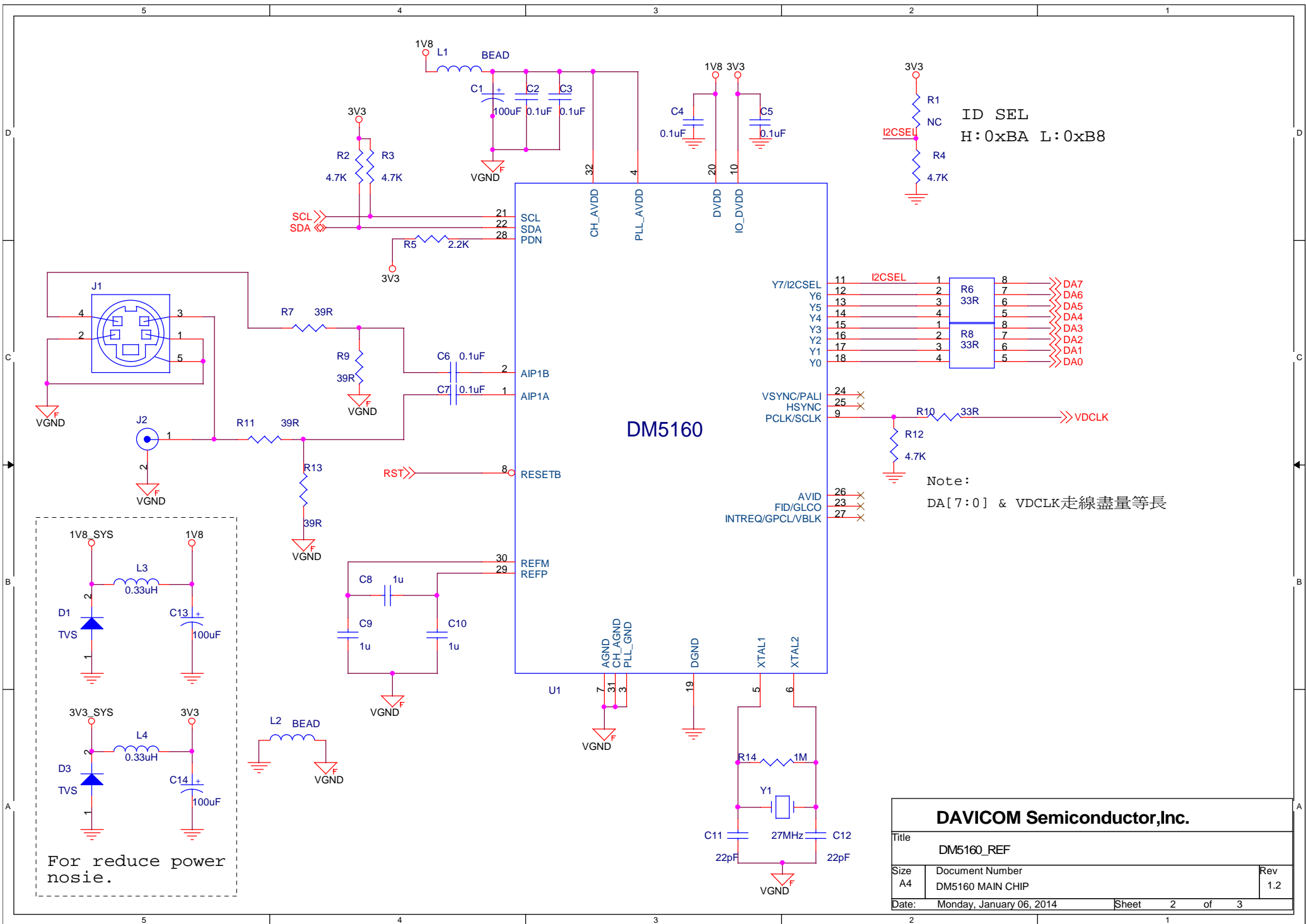


# DM5160

- ~ 1 Channel 960H & 720H Video Decoder
- ~ Pin Compatible with TVP5150

<b>DAVICOM Semiconductor, Inc.</b>		
Title DM5160_REF		
Size A4	Document Number DM5160	Rev 1.2
Date:	Monday, January 06, 2014	Sheet 1 of 3



**DAVICOM Semiconductor, Inc.**

Title		
DM5160_REF		
Size	Document Number	Rev
A4	DM5160 MAIN CHIP	1.2
Date:	Monday, January 06, 2014	Sheet 2 of 3

VER	DATE	ENGINEER	NOTE
1.0	03/22/2013	CONNOR HONG	NEW CIRCUIT DM5160
1.1	01/06/2014	CONNOR HONG	C11 & C12 connect to AGND
1.2	01/26/2016	CONNOR HONG	Add circuit for reduce power noise

**DAVICOM Semiconductor, Inc.**

Title		
DM5160_REF		
Size	Document Number	Rev
A4	HISTORY	1.2
Date:	Monday, January 06, 2014	Sheet 3 of 3